

# RFT9MB

## 90cm Flat Canopy Rangehood

Euromaid



### FEATURES

Finish	Matte Black with Black Glass Fascia
Extraction	1000m <sup>3</sup> /h
No. of Speeds	4
Control Type	Touch with White LED
Lighting	2 x LED Strips
Filters	3 x Baffles (Black)

### ACCESSORIES

Carbon Filter	CF110 (Optional)
Recirculating Kit	IA150GRK (Optional)
Flue Extension	IAFXMBE1 (Optional)

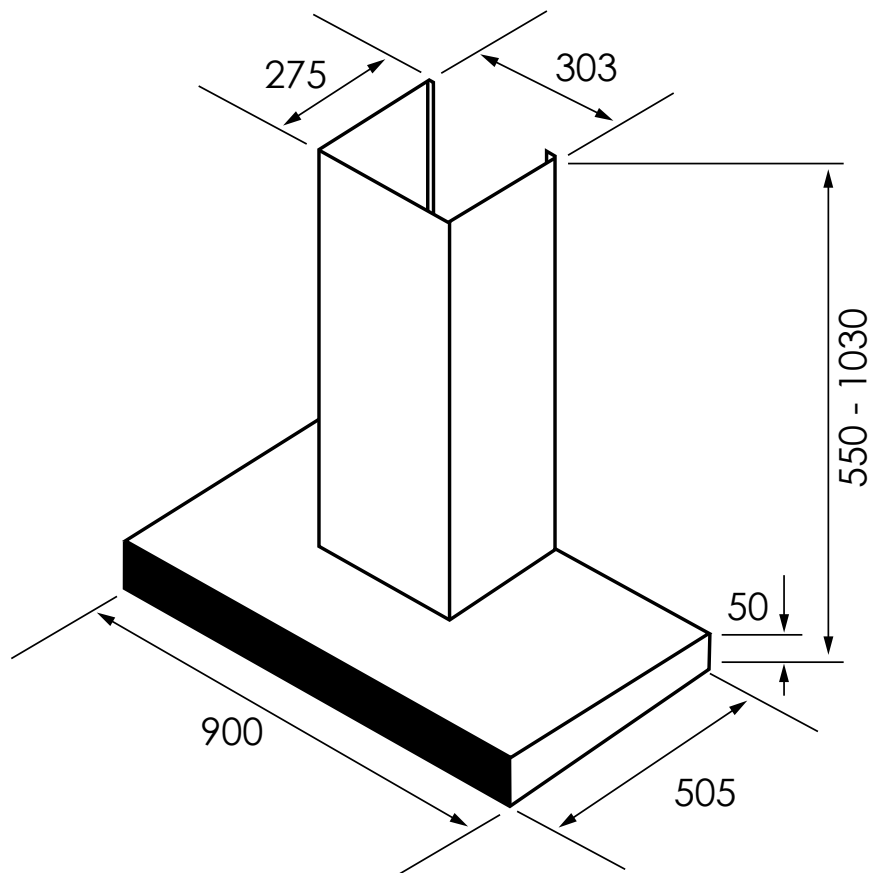


Scan for more info

# RFT9MB

## 90cm Flat Canopy Rangehood

Euromaid



### SPECIFICATIONS

Electrical Connection	10A Plug
Power	220 - 240V ~ / 50Hz
Motor Wattage	380W
LED Wattage	2 x 3.5W
Power Cord Length	1m

### DIMENSIONS (W x H x D)

Carton (mm)	660 x 560 x 310
Product (mm)	900 x 550 - 1030 x 505
Recommended Clearance (mm)	650 - 750*
Duct Diameter (mm)	150

### WEIGHT

Gross (kg)	20
Net (kg)	18

### WARRANTY

Product	2 Years Parts and Labour
---------	--------------------------

\*Install the Rangehood in accordance with the manufacturer's instructions. For optimum performance, we recommend that all Rangehood clearances be a minimum of 650mm to a maximum of 750mm between the top of the cooking surface to the underside of the Rangehood. The distance may be reduced to 650mm to align with AS/NZS 5601.

VERSION NO. 20231114

[euromaid.com.au](http://euromaid.com.au)