

R60FW

60cm Fixed Rangehood

Euromaid



FEATURES

Finish	White
Extraction	250m ³ /h
No. of Speeds	3
Control Type	Push Button
Lighting	2 x LED
Filters	2 x Aluminum Grease Filters

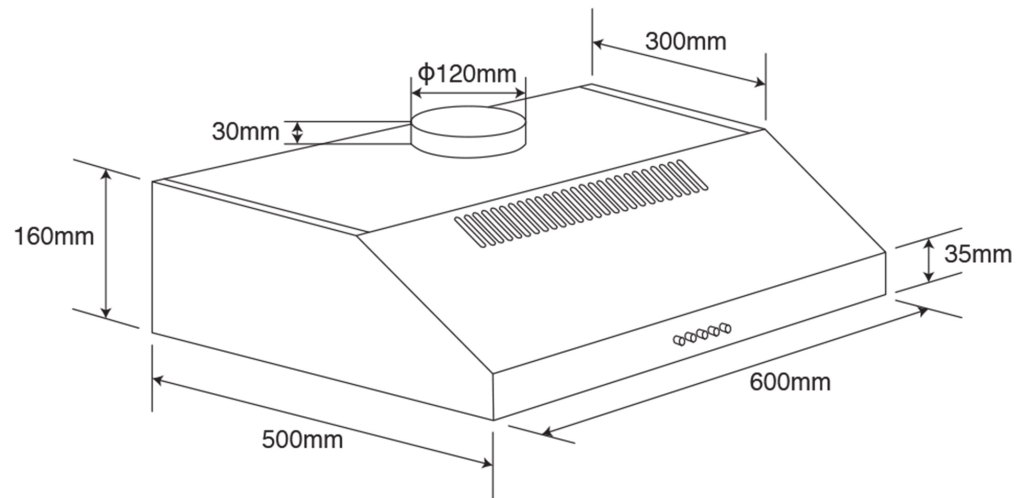
ACCESSORIES

Carbon Filter	CF110 (Optional)
---------------	------------------

R60FW

60cm Fixed Rangehood

Euromaid



SPECIFICATIONS

Electrical Connection	10A Plug
Power	220 - 240V / 50Hz
Motor Wattage	100w
LED Wattage	4w
Power Cord Length	1.5m

DIMENSIONS (W x H x D)

Product Boxed	650 x 210 x 555mm
Product Un-boxed	600 x 160 x 500mm
Cut-Out	600 x 160 x 300mm
Duct Diameter	120mm

WEIGHT

Product Boxed	7kg
Product Un-boxed	6kg

WARRANTY

Product	2 Years Parts and Labour
---------	--------------------------

VERSION NO. 20210609