

EFLP850G

8.5kg Front Loader Washing Machine

Euromaid



FEATURES

Finish	Grey
Capacity	8.5kg
Max. Spin Speed	1400 rpm
No. of Programs	15
No. Aux Functions	6
Motor Type	Brushless (DC)
Temperature Settings	Cold - 20 - 30 - 40 - 60 - 90°C
Delay Start	1 - 24 hours
Add Garment	Yes
Child Lock	Yes
Program Selector	Dial
Control Type	Touch
Display Type	White LED

AVAILABLE ACCESSORIES

Stacking Kit Model	ESK
--------------------	-----

PROGRAMS

1	Cottons
2	Cottons Eco
3	Easy Care
4	Daily Xpress
5	Woollens
6	Delicates
7	Mixed
8	Spin+Drain
9	Rinse
10	Dark Wash
11	Sports
12	Stain Expert
13	Allergy+
14	Bedding
15	Shirts

AUXILIARY FUNCTIONS

1	Steam Assist
2	Fast+
3	Anti-Crease
4	Prewash
5	Extra Rinse
6	Drum Clean

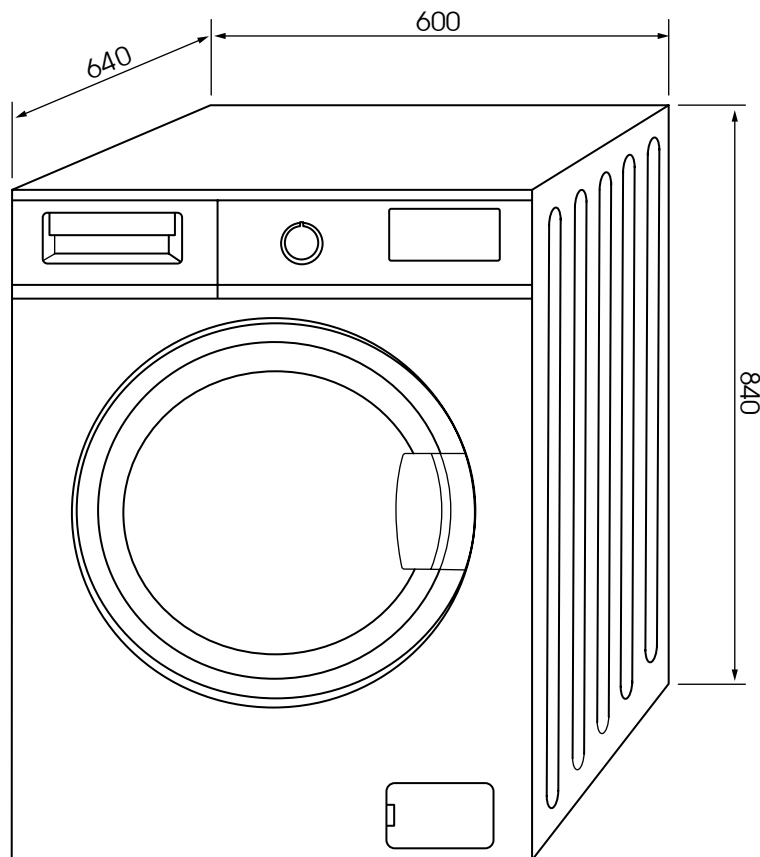


Scan for more info

EFLP850G

8.5kg Front Loader Washing Machine

Euromaid



SPECIFICATIONS

Electrical Connection	10A Plug
Power	220 - 240V ~ / 50Hz
Power Cord Length	1.4m
Inlet Hose Type	Cold Only
Inlet Hose Length	1.0m
Outlet Hose Length	1.6m
Energy Star Rating	4
Energy Consumption (kWh per year)*	350
WELS Star Rating	4.5
Water Consumption (Litres per wash)**	73

DIMENSIONS (W x D x H)

Carton (mm)	650 x 690 x 880
Product (mm)	600 x 640 x 840

WEIGHT

Gross (kg)	72
Net (kg)	71

WARRANTY

Product	2 Years Parts and Labour
Brushless Motor	10 Years Parts

*When using the Cotton Eco, 40°C programme, seven times per week | **When using the Cotton Eco, 40°C programme

VERSION NO. 20221116

Product and cut-out dimensions are to be used as a guide only. Please refer to actual product before installing, or refer to the instruction manual or website for full instructions.

euromaid.com.au