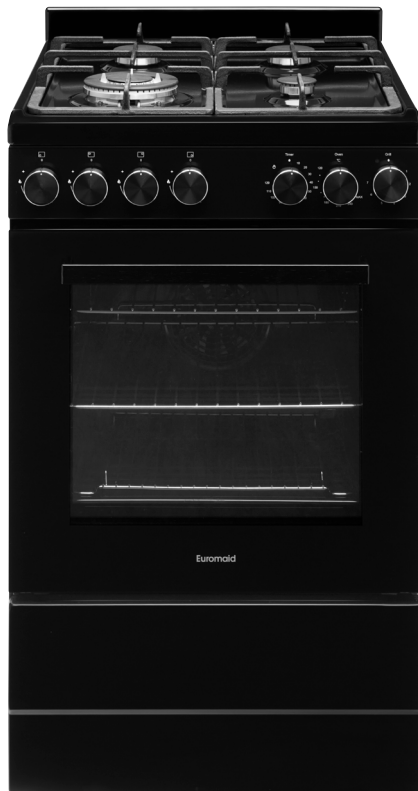


EFS54FC-SGB

54cm Gas Freestanding Cooker

Euromaid



FEATURES	
Finish	Black
Type	Gas Oven and Electric Grill
Oven Capacity	83L
Oven Shelf Positions	5
Controls	Rotary Knobs
Side Racks	Removable
Oven Light	Yes
Cooling System	Yes
Door Glass	Triple Glazed
Timer	120 Minute Mechanical
Cooktop Type	Gas
Cooktop Burners	4
Trivets	Cast Iron
Wok Support	Cast Iron
Flame Safety Device	Yes
Ignition	Automatic

OVEN FUNCTIONS	
Function 1	Fan Assisted
Function 2	Grill

COOKTOP BURNERS	
Front Left	Wok 13.7MJ/h
Front Right	Auxiliary 4.0MJ/h
Rear Left	Semi Rapid 6.7MJ/h
Rear Right	Semi Rapid 6.7MJ/h

ACCESSORIES	
Chrome Shelves	2
Tray + Grill Insert	1

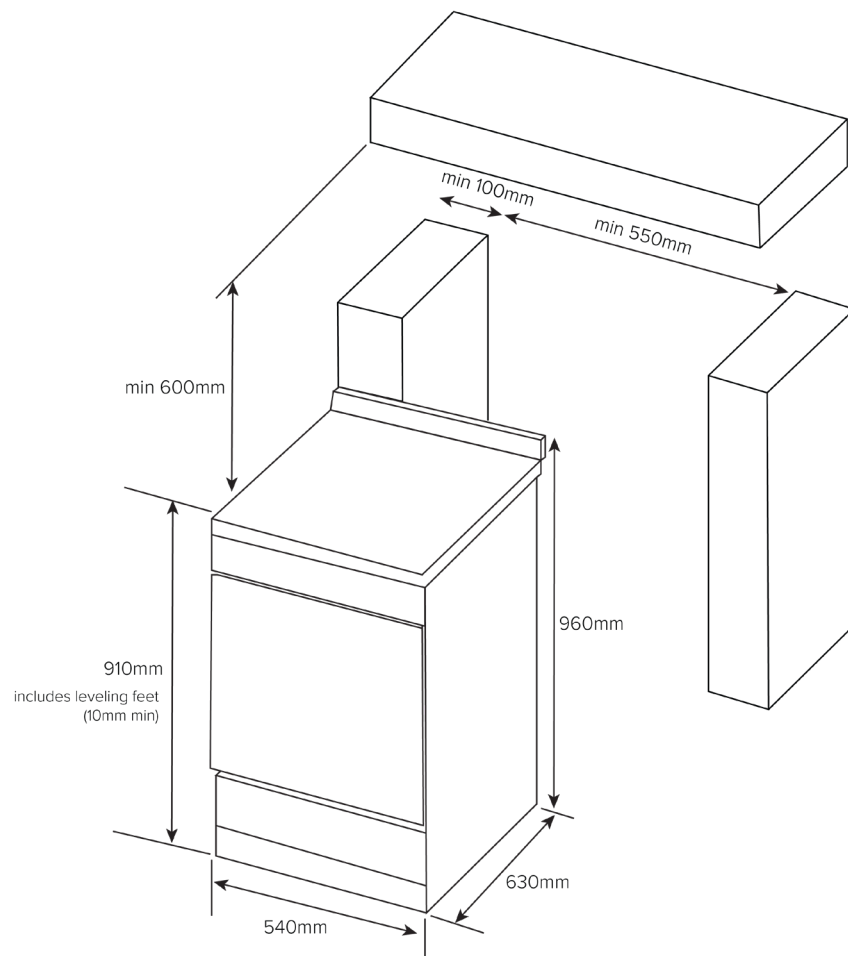


Scan for more info

EFS54FC-SGB

54cm Gas Freestanding Cooker

Euromaid



INSTALLATION

Electrical Connection	10A Plug
Power	220 - 240V / 50 - 60Hz
Total Wattage	1200 - 1400W
Gas Type	NG / ULPG
LPG Conversion Kit	Included
Gas Inlet Type	½" BSP Male
Gas Input NG / ULPG	40.1MJ/h / 39.7MJ/h
Oven Burner NG / UPLG	9.0MJ/h

DIMENSIONS (W x H x D)

Carton (mm)	590 x 990 x 712
Product (mm)	540 x 910 x 630
Cut-Out (mm)*	550 x 1510 x 630

WEIGHT

Gross (kg)	51
Net (kg)	45.7

WARRANTY

Product	2 Years Parts and Labour
---------	--------------------------

*Cut-out height includes minimum distance required to rangehood.

VERSION NO. 20220315

Product and cut-out dimensions are to be used as a guide only. Please refer to actual product before installing, or refer to the instruction manual or website for full instructions.

euromaid.com.au