

EFS54RC-DCB

54cm 5 Function Electric Freestanding Cooker

Euromaid



FEATURES	
Finish	Black
Type	Electric
Oven Capacity	83L
Oven Shelf Positions	5
Grill Capacity	20L
Grill Shelf Positions	1
Controls	Rotary Knobs
Side Racks	Removable
Oven Light	Yes
Cooling System	Yes
Door Glass	Triple Glazed
Timer	Digital
Programmable	Yes
Cooktop Type	Ceramic Glass
Cooktop Elements	4

OVEN FUNCTIONS	
Function 1	Light
Function 2	Grill
Function 3	Fan Grill
Function 4	Fan Forced
Function 5	Defrost

COOKTOP BURNERS	
Front Left	1800W
Front Right	1200W
Rear Left	1200W
Rear Right	1200W

ACCESSORIES	
Chrome Shelves	2
Tray + Grill Insert	1

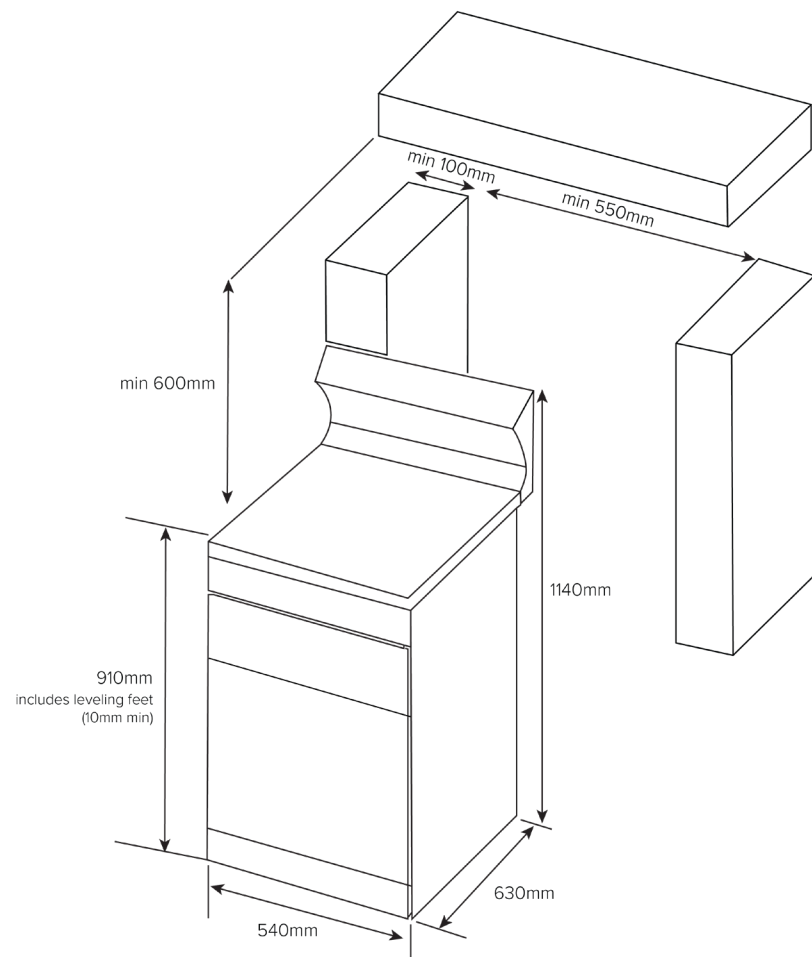


Scan for more info

EFS54RC-DCB

54cm 5 Function Electric Freestanding Cooker

Euromaid



INSTALLATION

Electrical Connection	Hardwired
Power	220 - 240V / 50 - 60Hz
Total Wattage	8450 - 10050W

DIMENSIONS (W x H x D)

Carton (mm)	650 x 1200 x 750
Product (mm)	540 x 1140 x 630
Cut-Out (mm)*	550 x 1510 x 630

WEIGHT

Gross (kg)	64.1
Net (kg)	52.9

WARRANTY

Product	2 Years Parts and Labour
---------	--------------------------

*Cut-out height includes minimum distance required to rangehood.

VERSION NO. 20220315

Product and cut-out dimensions are to be used as a guide only. Please refer to actual product before installing, or refer to the instruction manual or website for full instructions.

euromaid.com.au