

ETM311W

290 Litre Top Mount Fridge

Euromaid



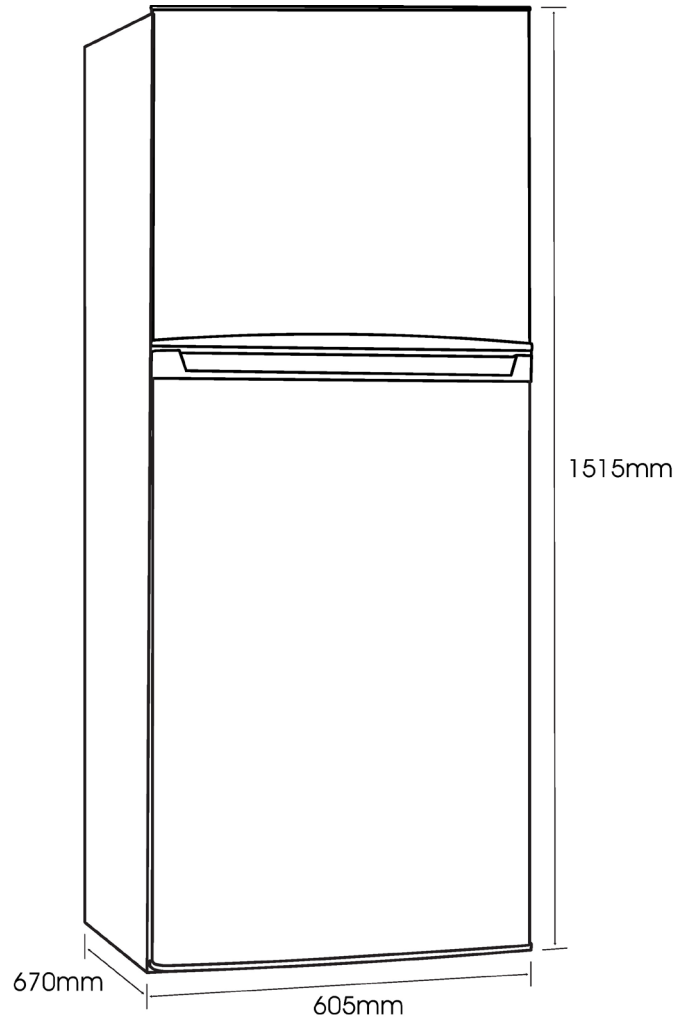
FEATURES

Finish	White
Usable Volume	290L
Display	LED Indicator
Temperature Control	Electronic (Fridge) Mechanical (Freezer)
Temperature Presets	3
Defrost	Automatic
Reversible Door	Yes
Handle Type	Recessed
Interior Lighting	LED
Dairy Chiller	No
Vegetable Crisper	Yes
Internal Shelves	3 x Glass (Fridge) 1 x Glass (Freezer)
Door Shelves	1 x Full Width (Fridge) 4 x Half Width (Fridge) 2 x Full Width (Freezer)
Accessories	Egg Tray x 1 Ice Cube Tray x 1

ETM311W

290 Litre Top Mount Fridge

Euromaid



SPECIFICATIONS

Fridge Temp. Range	0.5 ~ 6°C
Freezer Temp. Range	-20°C ~ -15°C
Fridge Usable Volume	213L
Freezer Usable Volume	77L
Electrical Connection	10A Plug
Power	220 - 240V ~ 50Hz
Energy Consumption (kWh per year)	317
Energy Star Rating	3.5

DIMENSIONS (H x W x D)

Carton (mm)	1596 x 640 x 702
Product (mm)	1515 x 605 x 670
Min Clearance* (mm)	1565 x 705 x 720

WEIGHT

Gross (kg)	65
Net (kg)	59

WARRANTY

Product	2 Years Parts and Labour
---------	--------------------------

**Allows for optimal clearance around the freezer to ensure maximum efficiency.*

VERSION NO. 20220304

Product and cut-out dimensions are to be used as a guide only. Please refer to actual product before installing, or refer to the instruction manual or website for full instructions

www.euromaid.com.au