

AAG6SE1

60cm Curved Glass Canopy Rangehood

Euromaid



FEATURES

Finish	Stainless Steel
Extraction	700m ³ /h
No. of Speeds	3
Control Type	Mechanical Button
Lighting	2 x LED
Filters	1 x Mesh

ACCESSORIES

Carbon Filter	CF110 (Optional)
Recirculating Kit	IA150BSRK (Optional)
Flue Extension	IASXSE3 (Optional)

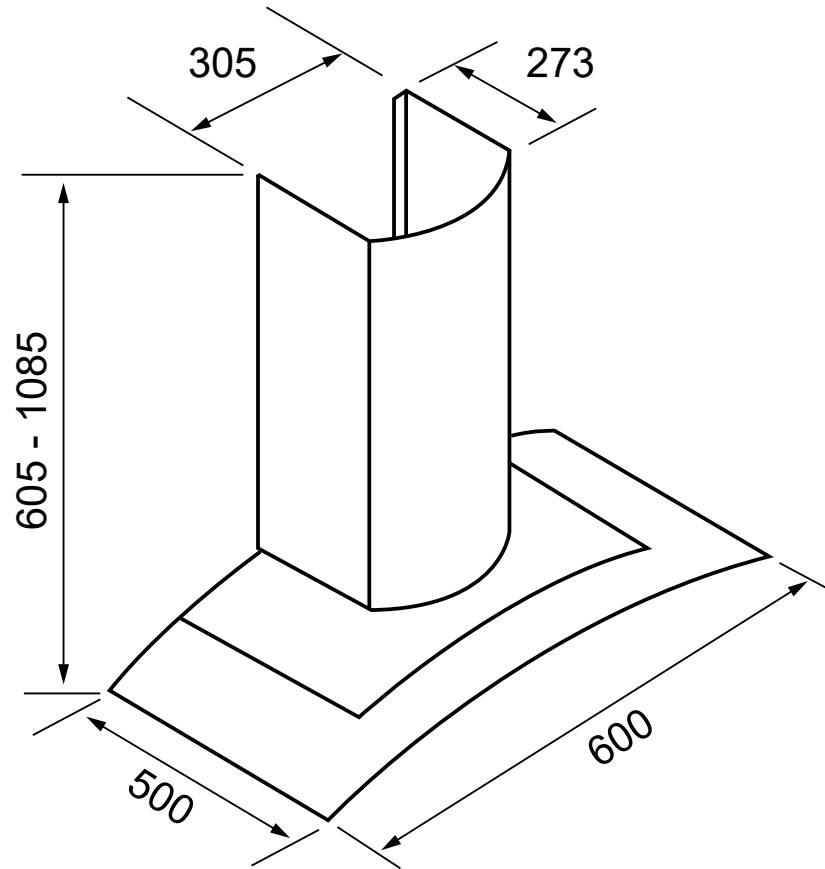


Scan for more info

AAG6SE1

60cm Curved Glass Canopy Rangehood

Euromaid



SPECIFICATIONS

Electrical Connection	10A Plug
Power	220 - 240V ~ / 50Hz
Motor Wattage	190w
LED Wattage	2 x 2w
Power Cord Length	1.5m

DIMENSIONS (W x H x D)

Carton (mm)	665 x 560 x 480
Product (mm)	600 x 605 - 1085 x 500
Recommended Clearance (mm)	650 - 750*
Duct Diameter (mm)	150

WEIGHT

Gross (kg)	19.5
Net (kg)	16.5

WARRANTY

Product	2 Years Parts and Labour
---------	--------------------------

*Install the Rangehood in accordance with the manufacturer's instructions. For optimum performance, we recommend that all Rangehood clearances be a minimum of 650mm to a maximum of 750mm between the top of the cooking surface to the underside of the Rangehood. The distance may be reduced to 600mm to align with AS/NZS 5601.

VERSION NO. 20220221

euromaid.com.au