

# ECFR316W

## 308 Litre Chest Freezer

**Euromaid**



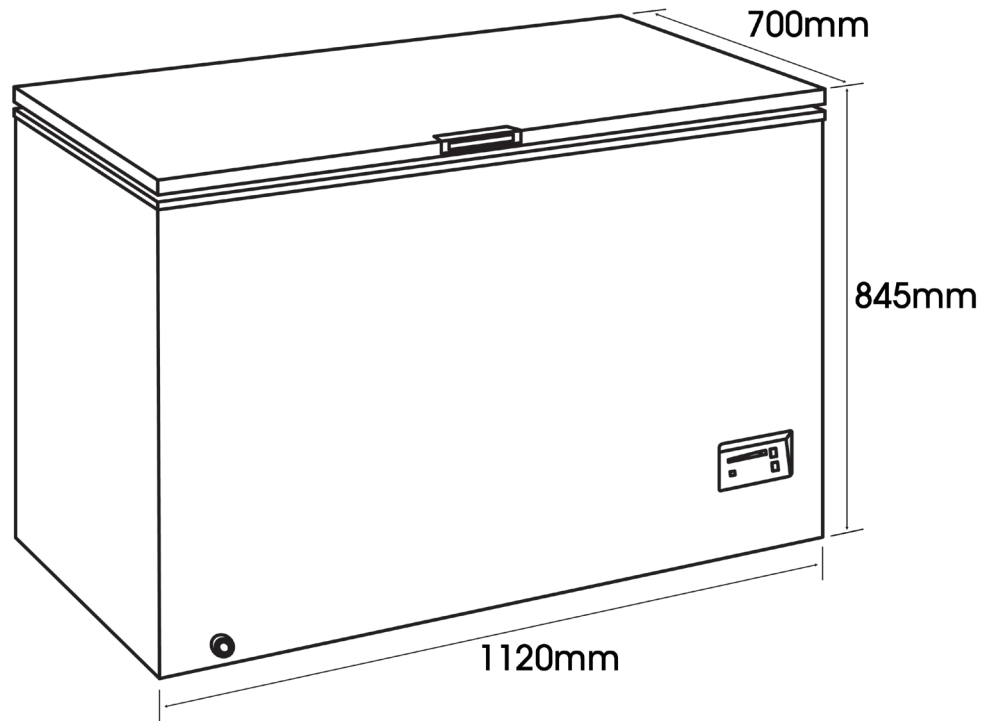
### FEATURES

Finish	White
Usable Volume	308 Litres
Display	LED Indicator
Temperature Control	Electronic (External)
Temperature Presets	3
Defrost	Manual
Drainage Hole	Front Bottom Left
Handle Type	Recessed
Interior Lighting	None
Accessories	1 x Storage Basket

# ECFR316W

## 308 Litre Chest Freezer

**Euromaid**



### SPECIFICATIONS

Temp. Range	- 15°C ~ - 20°C
Electrical Connection	10A Plug
Power	220 - 240V ~ 50Hz
Energy Consumption (kWh per year)	342
Energy Star Rating	2.5

### DIMENSIONS (H x W x D)

Carton (mm)	885 x 1156 x 748
Product (mm)	845 x 1120 x 700
Min Clearance* (mm)	1545 x 1320 x 800

### WEIGHT

Gross (kg)	48
Net (kg)	42

### WARRANTY

Product	2 Years Parts and Labour
---------	--------------------------

*\*Allows for optimal clearance around the freezer to ensure maximum efficiency.*

VERSION NO. 2021 1206

Product and cut-out dimensions are to be used as a guide only. Please refer to actual product before installing, or refer to the instruction manual or website for full instructions

[www.euromaid.com.au](http://www.euromaid.com.au)