

ETL1000RCW

10kg Top Loader Washing Machine - Rear Control

Euromaid



FEATURES	
Colour	White
Capacity	10kg
Max Spin Speed	700 RPM
Agitator	Low Profile
No. Of Programs	16
Motor Type	Universal (AC)
Temperature Settings	Cold - Warm - Hot
Delay Start	1-24hrs
Program Selector	Dial
Control Type	Electronic w/ Program Dial
Display Type	White LED
Child Lock	Yes

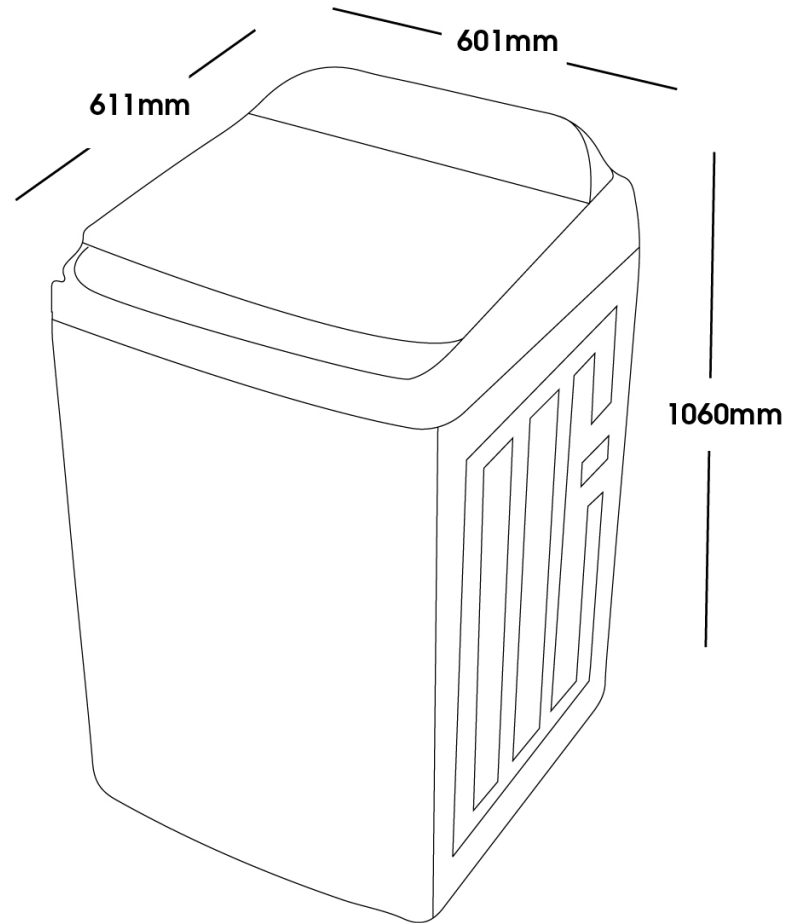
WASH PROGRAMS	
Program 1	Daily
Program 2	Sport
Program 3	Mixed
Program 4	Whites
Program 5	Colour Fast
Program 6	Synthetic
Program 7	Intense
Program 8	Easy Care
Program 9	Baby Care
Program 10	Delicate
Program 11	Linen
Program 12	Towels
Program 13	Rinse & Spin
Program 14	Soak
Program 15	Drum Clean
Program 16	Rapid

AUXILIARY FUNCTIONS	
Function 1	Auto Wash
Function 2	Fast+

ETL1000RCW

10kg Top Loader Washing Machine - Rear Control

Euromaid



SPECIFICATIONS

Electrical Connection	10A Plug
Power	220 - 240V ~ 50Hz
Power Cord Length	1.8m
Inlet Hose Type	Hot & Cold
Inlet Hose Length	1m
Outlet Hose Length	1m
Energy Star Rating	2
kWh per year*	727
Water Star Rating	3
Water Consumption**	126L

DIMENSIONS (W x D x H)

Product Boxed	655 x 680 x 1090mm
Product Un-boxed	601 x 611 x 1060mm

WEIGHT

Product Boxed	52kg
Product Un-boxed	46kg

WARRANTY

Product	2 Years Parts and Labour
---------	--------------------------



*Calculated based on the machine operating 7 times a week with the following parameters set: Daily program / Warm Water/ Water Level Max

**Calculated based on the machine operating with the following parameters set: Daily program / Warm Water/ Water Level Max

VERSION NO. 20210908

Product and cut-out dimensions are to be used as a guide only. Please refer to actual product before installing, or refer to the instruction manual or website for full instructions

www.euromaid.com.au