

UC52

52cm Stainless Steel Undermount Rangehood



Features

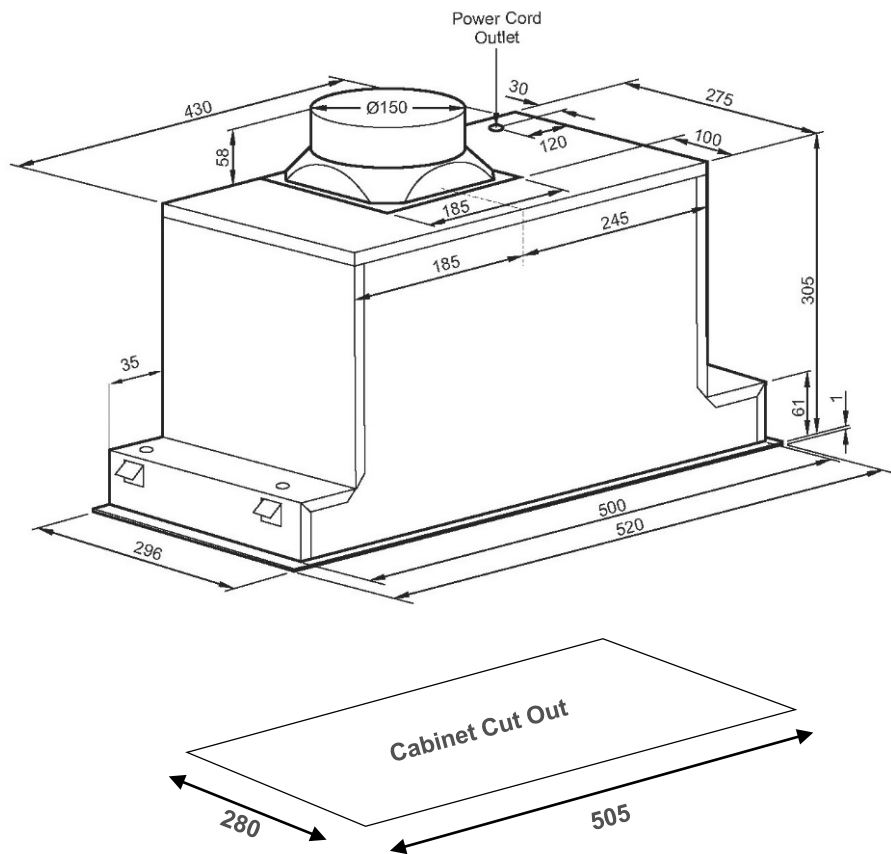
- Stainless Steel Finish
- 1000 m³/h Air Extraction
- Push Button Controls
- Perimeter Aspiration
- Ducted Installation
- 3 x Fan Speeds
- Strip LED Lighting
- 1 x Aluminium Grease Filter
- 2 Year Warranty

Specifications

Airflow:	1000 m ³ /h
Motor Housing:	304 Stainless
Noise Level:	54 - 60 dBA
Lighting:	2 x 2W LED Strip
Total Wattage:	265W
Ducting Spigot Size:	150mm
Cabinet Size Required:	600mm

UC52

52cm Stainless Steel Undermount Rangehood



Product Dimensions

520mm (W) x 305mm (H) x 296mm (D)

Cut Out Dimensions*

505mm (W) x 280mm (D)

* Ensure the distance between the edges of the cut-out to the edge of the cupboard is at least 35mm

Total Power

Power: 265W, 220 - 240 volt / 50Hz

Connection: 10amp, 3 Pin Plug

Power Cord: 1.5 Metre Cable