

Electric Oven Gas Cooktop

540mm

F54GW



Flame failure to all burners



features

- white enamel glass design front controls
- 83 litre capacity electric oven
- cast iron gas trivets with wok burner
- **flame failure** to all burners
- four function: *fan forced, defrost bottom heat, bottom heat +fan (pizza)*
- closed door **separate** grill - two heights
- telescopic grill runner
- triple layer glass door
- 120 minutes mechanical timer
- cavity fan cooling system
- large viewing window
- easy clean enamel cavity
- anti-tilt bracket & stability bolt



Specifications:

Total Connected Power: 3.65kW 15.2 amp

Grill Power: 1650-1800 kW

Oven Power: 1710-2030 kW

Power: 220 - 240 volt / 50 -60Hz

Gross/net weight: 57/49.5 kg

Cooktop Power Total: NG/LPG 29.88 mj/h

Front Left: wok burner - 13.68 mj/h

Rear Left: Semi Rapid Burner - 6.3 mj/h

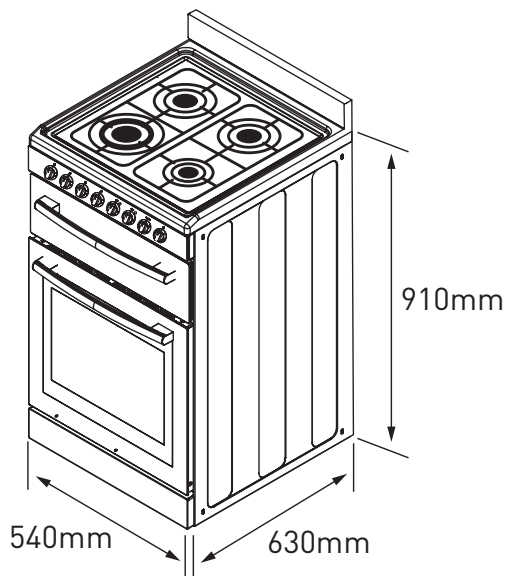
Front Right: Auxillary burner - 3.6 mj/h

Rear Right: Semi Rapid Burner-6.3 mj/h

Product Dimensions:

540mm (W) x 600mm (650mm including handles and knobs) (D)

x 910mm - 950mm adj. no splashback 960 -1000 adj. with splashback (H)



Warranty

2 year Parts and Labour

Customer Service

Our Nationwide Service Team can be contacted on 1800 444 357

or emailing

customer@hapl.com.au

HOME APPLIANCES
www.euromaid.com.au