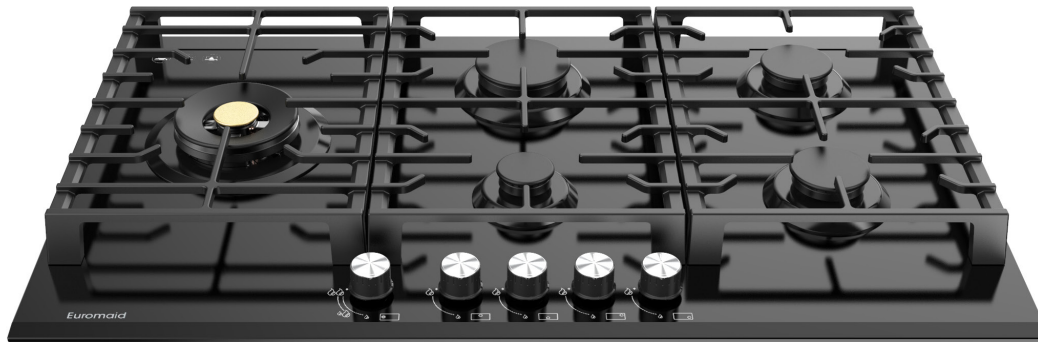


# EC95GLB

## 90cm 5 Burner Gas Cooktop, Black Glass

Euromaid  
eclipse series



### Product Features

Five matte black Italian gas burners

Powerful wok burner with Dual-Valve control

+ brass burner cap

Raised Cast-Iron Trivets

Eclipse Series knob controls

Tempered black glass surface

Beveled front edge

Automatic ignition

Flame safety device

LGP conversion kit included

2 Year warranty



DUAL VALVE  
WOK BURNER

The high-power wok burner with dual-valve control lets you adjust the flame from a rapid heat to a low simmer with ease, providing the ultimate level of flexibility for cooking.



TEMPERED BLACK  
GLASS

Beautiful in finish and easy to clean, the stylish black glass surface will add a touch of elegance to any kitchen.

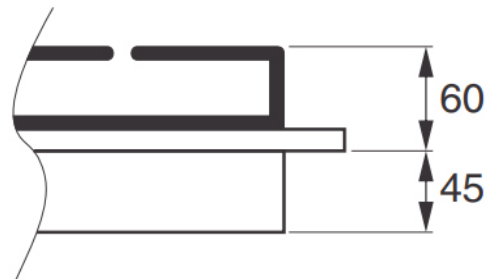
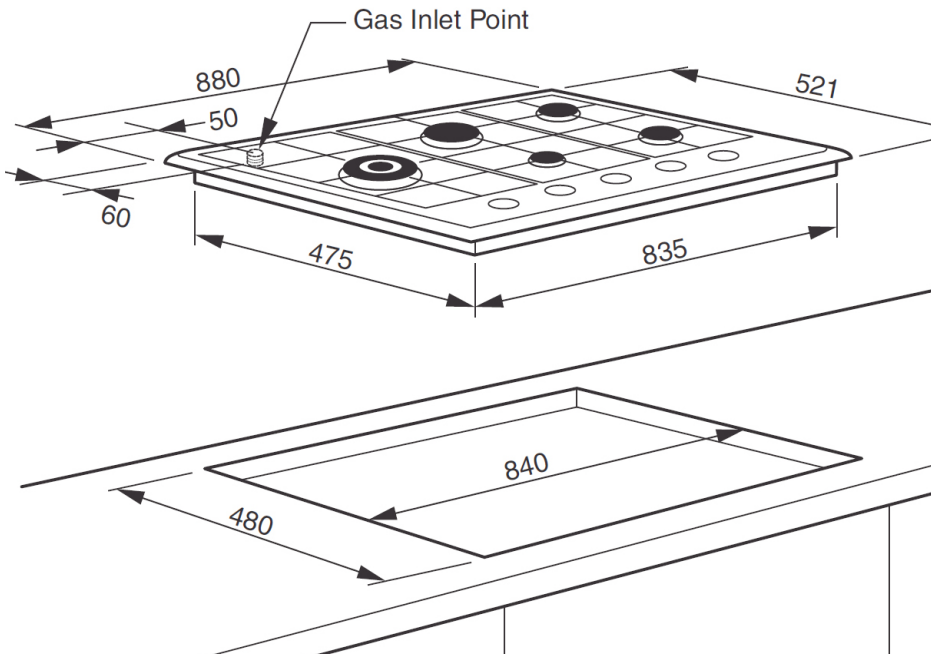


FLAME SAFETY  
DEVICE

The flame failure safety device will automatically shut off the gas if the flame is accidentally extinguished, ensuring optimum safety for you and your family.

EAN: 9420033217441

[www.euromaid.com.au](http://www.euromaid.com.au)



\*Height include trivets

### EC95GLB

#### Cooktop Features

Gas Burners	5
Wok Burners	Yes
Dual-valve control	Yes
Wok Trivet	Yes
Cooking Surface	Tempered black glass
Trivets	Cast-Iron
Controls	Rotary knob

#### Safety Features

Flame Safety Device	Yes
Automatic Ignition	Yes

#### Burner Type

Burner Type	Out Put
Front Left - Wok	16.0MJ
Front Centre - Auxiliary	3.9MJ
Rear Centre - Rapid	10.8MJ
Front Right - Semi Rapid	6.6MJ
Rear Right- Semi Rapid	6.6MJ

**Total output (MJ)** 43.9

#### Installation

Rated Voltage	220-240V / 50 or 60Hz
Connection	10A plug
Installation Type	Top mounted

#### Dimensions (Packed)

Width x Height x Depth (mm)	940 x 180 x 600
Gross Weight (kg)	22..5

#### Dimensions (Product)

Width x Height x Depth (mm)	880 x 105* x 521
Net Weight (kg)	19.5

#### Dimensions (Cut-Out)

Width x Height x Depth (mm)	840 x 45(min.) x 480
-----------------------------	----------------------