

# CF9GS

## 900mm Gas Cooktop

# Euromaid

*made for you.*



### Features

- Stainless Steel
- Cast Iron Pan Supports
- Flame failure device
- One piece stainless steel hob
- Front controls
- Electric Ignition
- Gas inlet located rear left hand side

### Burner Output

- Front Left - Triple Ring Wok Burner 14 Mj/h
- Front Right - Auxiliary Burner 4.5 Mj/h
- Rear Right - Rapid Burner 10.5 Mj/h
- Front Centre - Semi Rapid Burner 6.0 Mj/h
- Rear Centre - Semi Rapid Burner 6.0 Mj/h

### Total Connection

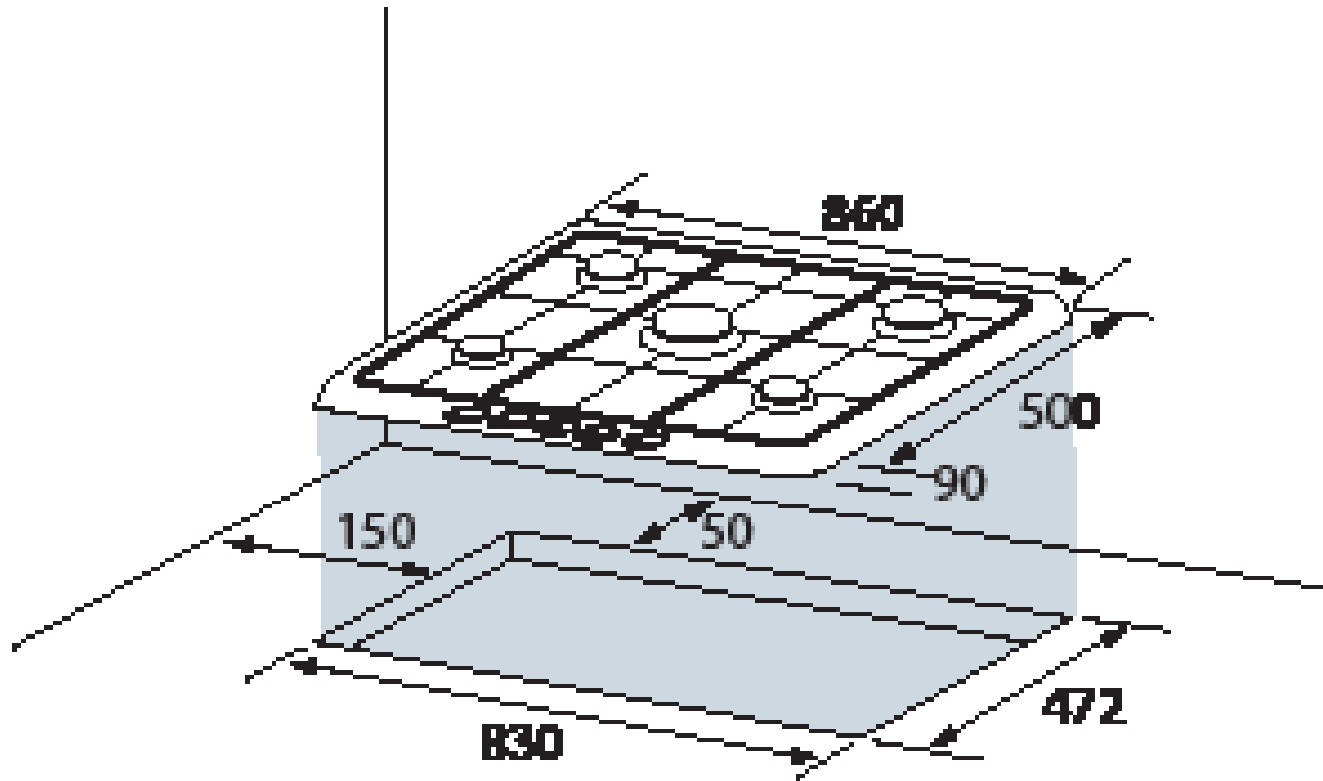
- |              |  |
|--------------|--|
| Power:       | 220 - 240 volt / 50Hz<br>(fitted with 10amp, 3 pin plug) |
| Natural Gas: | 41 Mj/h  |
| Propane:     | 39.55 0Mj/h  |

### Product Dimensions

860mm (L) x 500mm (B) x 90mm (D)

### Cutout Dimensions

830mm (L) x 472mm (B) x 40mm (D)



**Warranty**  
2 year Parts and Labour