

FLAT CANOPY

600mm

CF6BLS



- Stainless Steel
- 1000m³/hr
- Ducted operation
- Re-circulating operation optional*
- LED touch control
- 3 speed fan
- 2 x Baffle filters for easy cleaning - dishwasher safe
- 2 x 3 watt LED lamps cooler and longer lasting

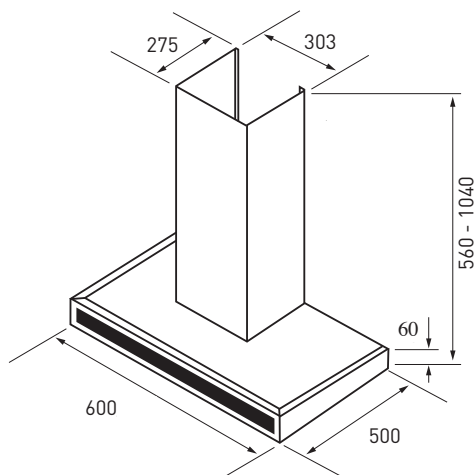
features

specifications

Airflow:	1000m ³ /hr	*Re-circulating Kit:	IA150BRK
Noise level:	65 dBA on maximum setting	Extension Flue:	IAFXSE1 (900mm)
Lighting:	2 x 3 watt LED lamps	Carbon Filter:	CF260
Total wattage	270 Watts		
Power:	220 -240 volt / 50Hz (fitted with 10amp, 3 pin plug)		
Power Cord:	1.5 metre cable		
Ducting Spigot size:	150mm		

dimensions

Product Dimensions 600mm (W) x 560-1040mm (H) x 500mm (D)



warranty - customer service

Warranty

2 years Parts and Labour

Customer Service

Our Nationwide Service Team can be contacted on our Toll Free Customer Service Number 1800 805 300 or by logging on to <http://customersupport.hapl.com.au/>

 **HOME APPLIANCES**

20 Carlotta Street
 Artarmon NSW 2064
 T: 02 9958 3111
 F: 02 9958 3555
 E: info@hapl.com.au

www.hapl.com.au