

# WMFL55

## 5.5kg Front Load Washing Machine

# Euromaid

*made for you.*



### Features

5.5kg capacity front load washer - white

15 wash programs: *cotton, cotton eco, easy care, daily xpress, mixed, woollens (handwash), delicates, spin + drain, rinse, down wear, sports, dark wash, lingerie, shirts, allergy*

Auxiliary functions: *extra rinse, quickwash, prewash*

Variable spin speed 600 - 1200rpm

'Daily Xpress' - 28min or 14min when teamed with the quick wash function

19 hour time delay in one hour increments

3 compartment detergent drawer - *prewash, mainwash and softener*

Economy wash cycles

Large 300mm door opening

Drum cleaning function

Child lock

Pause mode

2 year warranty

### Total Power

Power: 220-240 volt/50-60Hz

Total Power: 2000-2350 W

Total Current: 10 amp

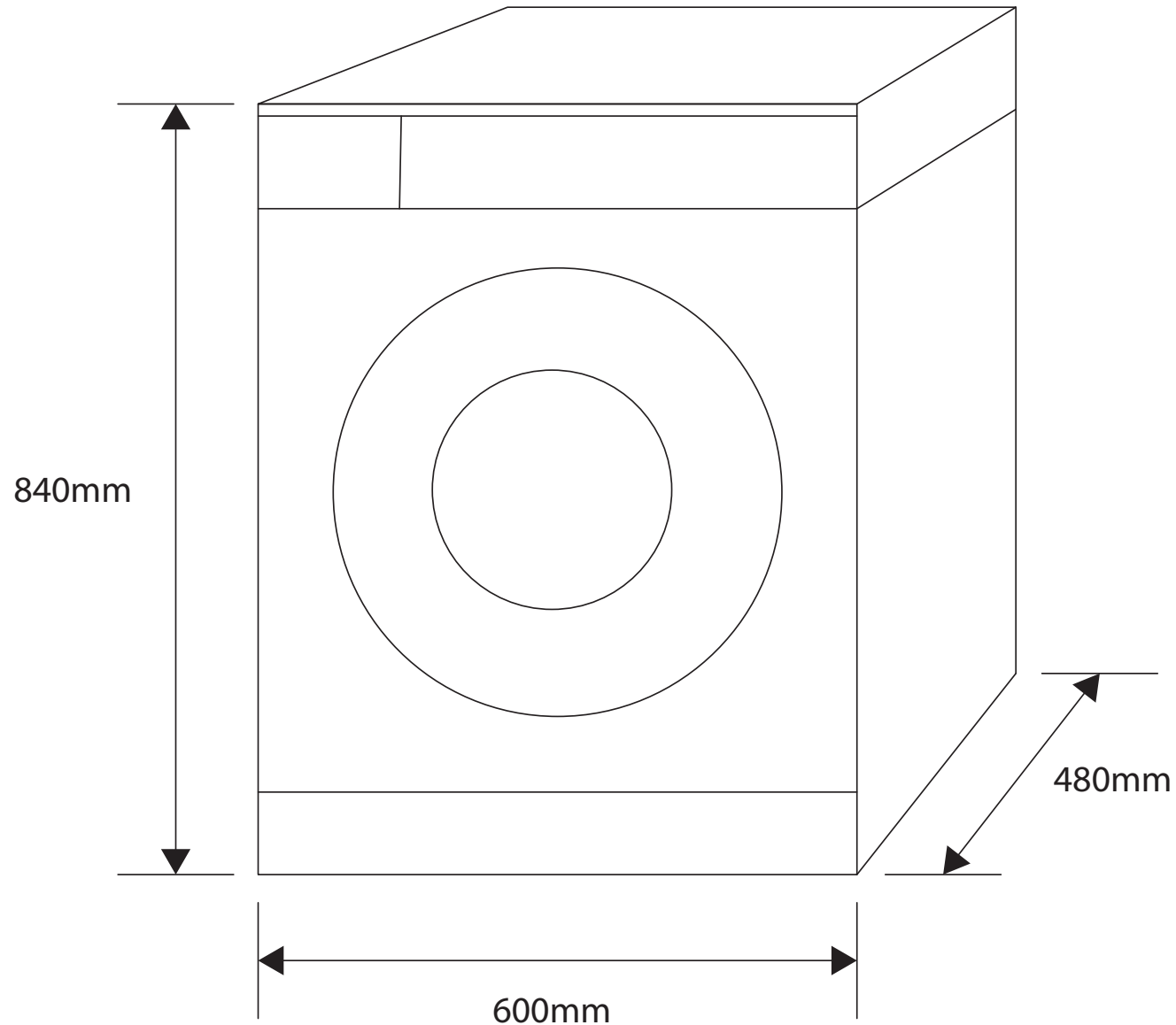
Efficiency Rating: 2 Star Energy rating

3.5 Star WELS Water rating

EAN 6945396605436

Dimensions and specifications are a guide only refer to the instruction manual and website for full instructions

[www.euromaid.com.au](http://www.euromaid.com.au)



### Product Dimensions

840mm (H) x 600mm (W) x 480mm (D)