

ETD90B

90cm 10 Function Full-Touch Built-In Oven

Euromaid
eclipse series



Product Features

110L capacity

10 functions

Black glass finish

Touch-control programmable timer

White LED display

1 Telescopic shelf

5 shelf positions

Closed door grilling

Removable triple glazed door

Easily removable side racks

Cavity cooling fan



110L CAPACITY

Class-leading extra large 110L capacity makes entertaining a breeze.



3D COOK

This premium feature utilises all elements plus fan to distribute heat fast and more evenly. Can also be utilized as a Rapid Preheat setting.

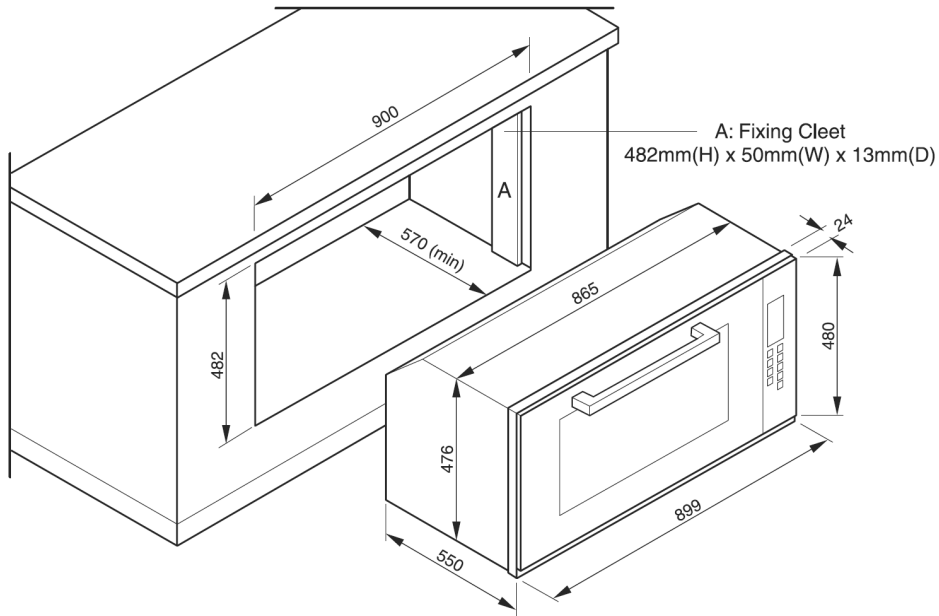


PROGRAMMABLE DIGITAL TIMER

Set your oven start and end time with the easy to use programmable timer

EAN: 9420033216397

www.euromaid.com.au



ETD90B

Oven Functions

Full Grill	Yes
Half Grill	Yes
Full Grill with Fan	Yes
Conventional	Yes
Fan Assist	Yes
Fan Forced	Yes
3D Cook	Yes
Pizza	Yes
Defrost	Yes
Rapid Preheat	Yes
Light	Yes

Control Panel

LED Clock / Programmer	Touch display
LED Colour	White
Control Type	Touch control

Timer

Minute Minder	Yes
Automatic Programmed Timer	Yes
Child Lock	Yes

Oven Cavity Features

Energy Rating (EU Standard)	'A' class
Actual Capacity (L)	105
Usable Capacity (L)	110
Door Glass	Triple glazed
Removable Inner Glass	Yes
No. of Shelf Positions	4
Cavity Cooling System	Yes
Lights	Twin

Accessories

Telescopic Shelves	1 full extension
No. of Chrome Shelves	2
Deep Dish Oven Tray	1
Standard Oven Tray	1
Grill insert	

Installation

Installation Type	Built-in
Electrical Connection	15A hardwire
Power	220-240V / 50Hz
Flush Fit	Yes

Dimensions (Packed)

Width x Height x Depth (mm)	955 x 560 x 660
Gross Weight (kg)	59.0

Dimensions (Product)

Width x Height x Depth (mm)	899 x 480 x 550
Net Weight (kg)	55.0

Dimensions (Cut-Out)

Width x Height x Depth (mm)	900 x 482 x 570
-----------------------------	-----------------