

ETD13B

60cm 13 Function Full-Touch Built-In Oven

Euromaid
eclipse series



Product Features

94L capacity

13 functions

Black glass finish

Full-touch control timer with white LED display

6 shelf positions

1 telescopic shelf

Deep dish baking tray

Soft close door

Closed door grilling

Removable triple glazed door

Easily removable side racks

Cavity cooling fan



94L CAPACITY

Class-leading extra large 94L capacity makes entertaining a breeze.



STEAM CLEAN

Generates steam to breakdown food residue that can easily be cleaned away.



FEATURES+

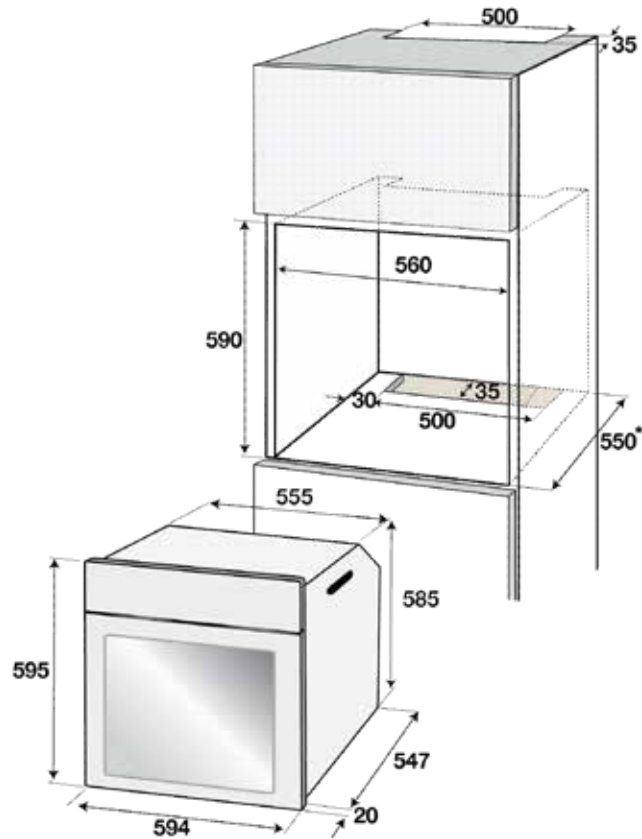
Feel the difference with the Telescopic Shelf and Soft Close Door.

9420033216383

ETD13B

60cm 13 Function Full-Touch Built-In Oven

Euromaid
eclipse series



ETD13B

Oven Functions

Full Grill	Yes
Half Grill	Yes
Full Grill with Fan	Yes
Conventional	Yes
Fan Assist	Yes
Fan Forced	Yes
3D Cook / Rapid Preheat	Yes
Eco	Yes
Pizza	Yes
Base Heat / Steam Clean	Yes
Keep Warm	Yes
Defrost	Yes
Booster / Rapid Preheat	Yes

Control Panel

LED Clock / Programmer	Touch display
LED Colour	White
Control Type	Touch control

Timer

Minute Minder	Yes
Automatic Programmed Timer	Yes
Child Lock	Yes

Oven Cavity Features

Energy Rating (EU Standard)	'A' class
Actual Capacity (L)	94
Usable Capacity (L)	82
Door Glass	Triple glazed
Removable Inner Glass	Yes
No. of Shelf Positions	6
Cavity Cooling System	Yes
Lights	Twin

Accessories

Telescopic Shelves	1 full extension
No. of Chrome Shelves	2
Deep Dish Oven Tray	1
Standard Oven Tray	1

Installation

Installation Type	Built-in
Electrical Connection	15A hardware
Power	220-240V / 50Hz
Flush Fit	Yes

Dimensions (Packed)

Width x Height x Depth (mm)	660 x 655 x 660
Gross Weight (kg)	33.3

Dimensions (Product)

Width x Height x Depth (mm)	594 x 595 x 567
Net Weight (kg)	31

Dimensions (Cut-Out)

Width x Height x Depth (mm)	560 x 590 x 550
-----------------------------	-----------------