



Product Features

94L capacity

8 functions

White glass finish

Touch control timer with white LED display

6 shelf positions

Deep dish baking tray

Closed door grilling

Removable triple glazed door

Easily removable side racks

Cavity cooling fan



94L CAPACITY

Class-leading extra large 94L capacity makes entertaining a breeze.



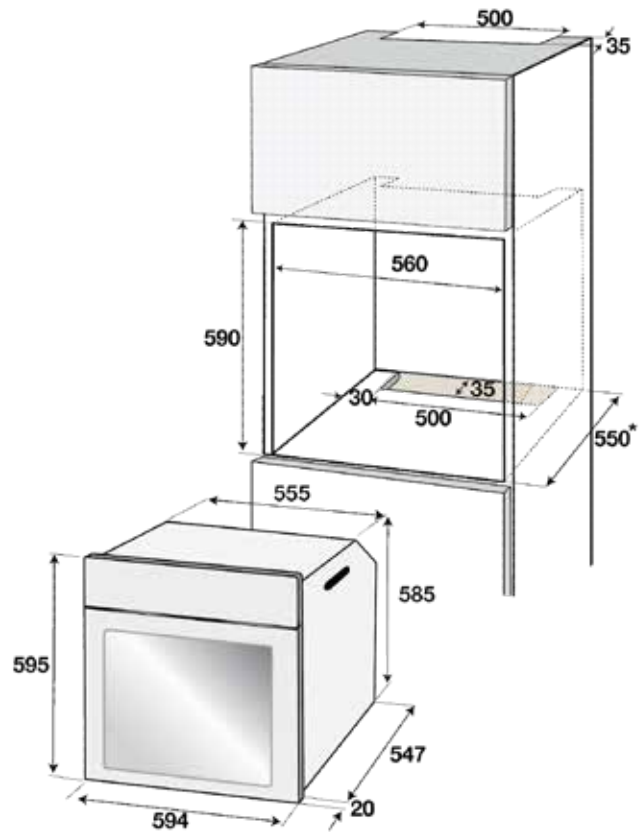
3D COOK

This premium feature utilises all elements plus fan to distribute heat fast and more evenly. Can also be utilised as a Rapid Preheat setting.



STEAM CLEAN

Generates steam to breakdown food residue that can easily be cleaned away.



EKD8W

Oven Functions

Full Grill	Yes
Half Grill with Fan	Yes
Conventional	Yes
Fan Assist	Yes
Fan Forced	Yes
3D Cook / Rapid Preheat	Yes
Base Heat / Steam Clean	Yes
Defrost	Yes

Control Panel

LED Clock / Programmer	Touch display
LED Colour	White
Control Type	Knob control

Timer

Minute Minder	Yes
Automatic Programmed Timer	Yes
Child Lock	Yes

Oven Cavity Features

Energy Rating (EU Standard)	'A' class
Actual Capacity (L)	94
Usable Capacity (L)	82
Door Glass	Triple glazed
Removable Inner Glass	Yes
No. of Shelf Positions	6
Cavity Cooling System	Yes
Lights	Twin

Accessories

No. of Chrome Shelves	2
Deep Dish Oven Tray	1
Standard Oven Tray	1

Installation

Installation Type	Built-in
Electrical Connection	15A hardwire
Power	220-240V / 50Hz
Flush Fit	Yes

Dimensions (Packed)

Width x Height x Depth (mm)	660 x 655 x 660
Gross Weight (kg)	36.1

Dimensions (Product)

Width x Height x Depth (mm)	594 x 595 x 567
Net Weight (kg)	32.5

Dimensions (Cut-Out)

Width x Height x Depth (mm)	560 x 590 x 550
-----------------------------	-----------------