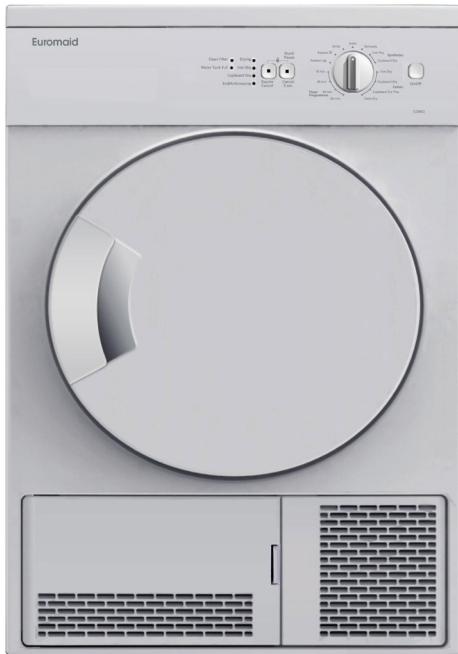


## CONDENSER CLOTHES DRYER

### 600mm

### CD6KG



- 6kg capacity
- Auto sensor - knows when your clothes are dry saving you time & money
- Large 4 litre water tank or plumbing optional
- 4 drying temperatures: extra dry, cupboard dry, cupboard dryplus, iron dry
- 9 drying programmes: cottons, synthetics, anti-creasing, express35, shirts, jeans, delicates, freshen up, timer programmes
- Program progress indicator
- Child proof lock
- 2 hour anti-creasing
- Filter cleaning warning light
- Water tank warning light
- Time delay

features

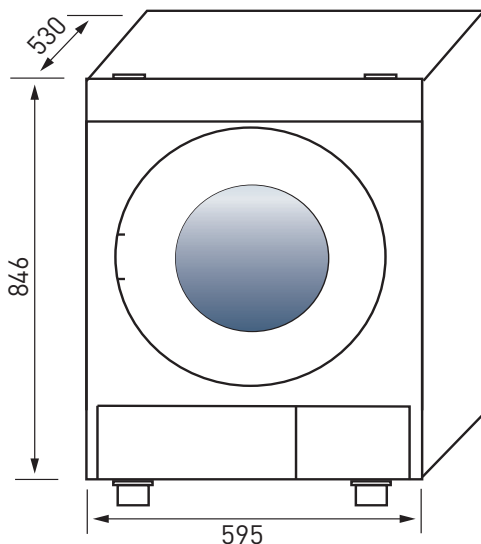
### specifications

**Energy Rating:** 1.5 Star Energy Rating  
**Annual Energy Consumption:** 280 kw  
**Weight:** 35Kg (net)  
**Drum type:** Steel  
**Power Supply:** 220 - 240V/50Hz 10amp

**Controls:** Mechanical  
**Cycle Status Indicator:** Timer

### dimensions

**Product Dimensions** 595mm (W) x 846mm (H) x 530mm (D)



warranty - customer service

**Warranty**  
2 years Parts and Labour

**Customer Service**

Our Nationwide Service Team can be contacted on our Toll Free Customer Service Number 1800 805 300 or by logging on to <http://customersupport.hapl.com.au/>

**HOME APPLIANCES**

20 Carlotta Street  
 Artarmon NSW 2064  
 T: 02 9958 3111  
 F: 02 9958 3555  
 E: [info@hapl.com.au](mailto:info@hapl.com.au)

[www.euromaid.com.au](http://www.euromaid.com.au)